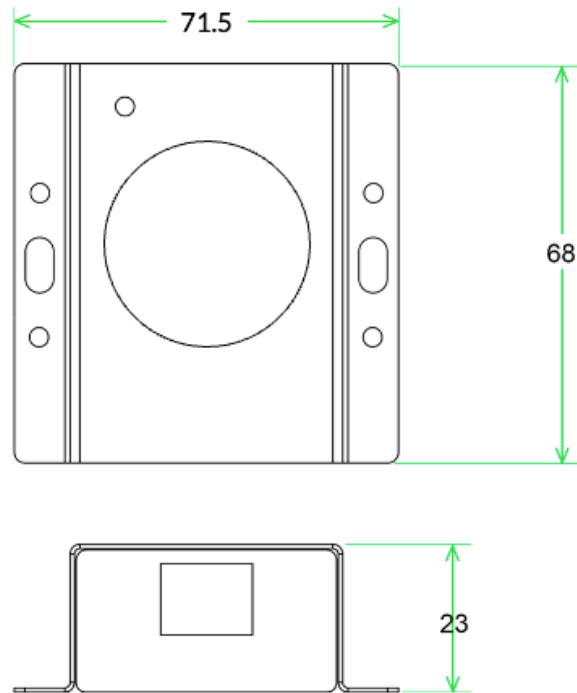




## Sulfur Hexafluoride (SF6) Gas Sensor (GAS-SF6)



### General Description

Digital sensor designed for monitoring and measuring the level of Sulfur Hexafluoride (SF6) in the ambient air.

### Key Features

- Powered by the base unit (BASE-WIRED)
- Can be OU rack, din rail, magnetic, or wall mounted
- Steel enclosure. Industrial grade.
- Measures SF6 gas concentrations up to 1,000ppm
- Sampling rate of the sensor is 0.5 seconds

### Requirements

- Plugs into the base unit (BASE-WIRED)
- Requires the optional BASE-FW-SSLS firmware add on for the BASE-WIRED

### Technical Specifications

Power source	SensorGateway (BASE-WIRED)
Power usage	1100 mW
Measurement range	0-1000 ppm
Accuracy	±1% of FS range for readings below 25% of range ±2% of FS range for readings below 50% of range ±5% of FS range above 50% of range
Response time (T90)	30 seconds
Warm up time	5 minutes
Calibration frequency	up to 1 year
Life span	5 years
Detection technology	NDIR

### Environmental Specifications

Operating temperature range	-20°C to 50°C (32°F to 122°F)
Humidity (operating and storage)	< 90% rH (non-condensating)

### Physical Specifications

Dimensions	71.5 mm (2.8") x 68 mm (2.7") x 31 mm (1.2")
Weight	0.12kg (0.26 lbs)