

Explosion Proof Junction Box for Detect-A-Fire Units



A UTC Fire & Security Company

www.prevent-a-fire.eu

P/N 06-116317-001, cast by CCH
F-12-04 Effective: May 2009

FEATURES

- Complies with NEC Class 1, Groups A, B, C, D
Class II, Group E, F, G
Class III
U.L., Standard 886

DESCRIPTION

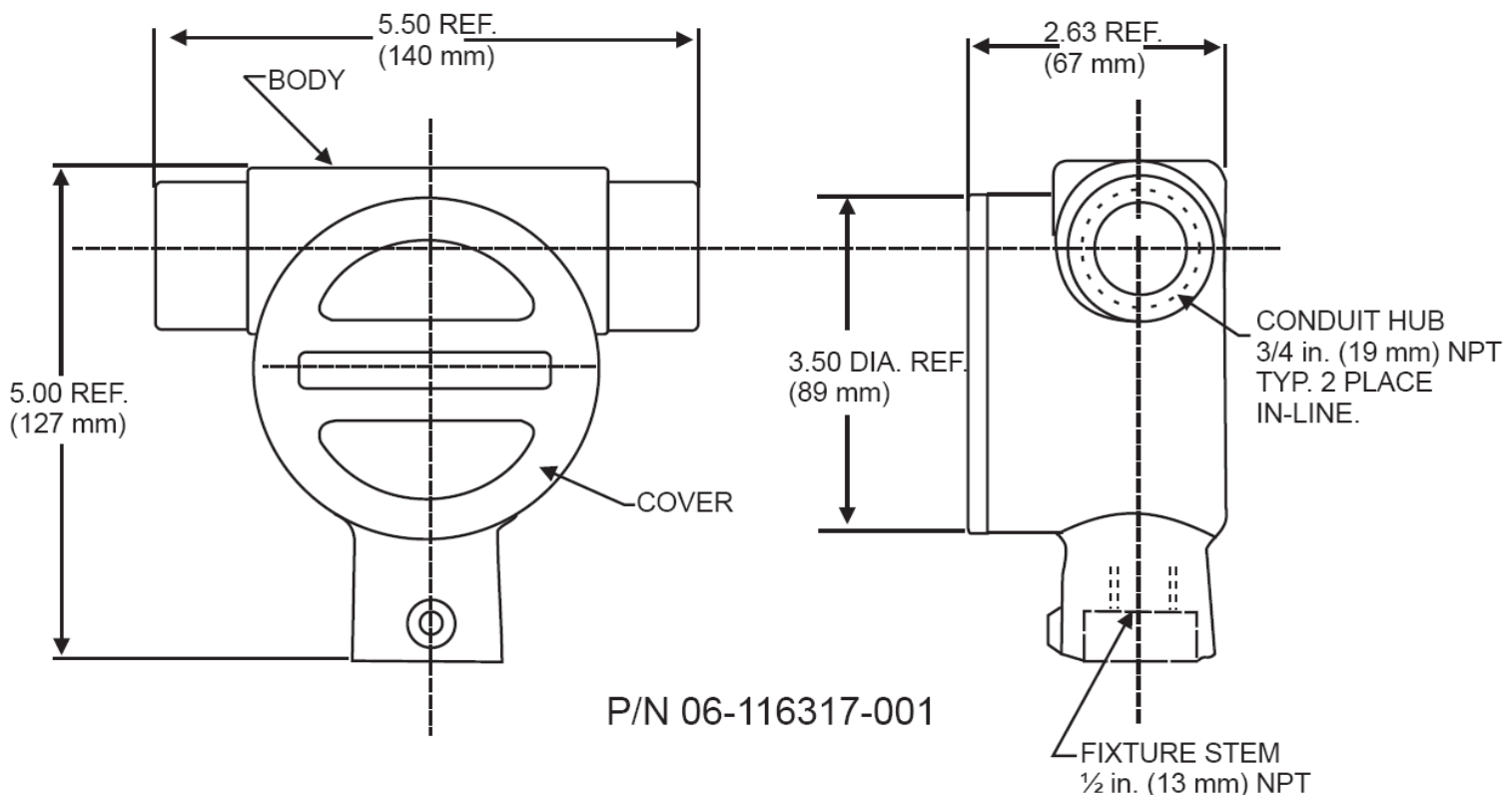
The P/N 06-116317-001 Explosion Proof Junction Box is intended for use with the Series 27100 and 28000 Vertical Detect-A-Fire (DAF) Units when being installed in hazardous areas requiring explosion proof fittings. Refer to the following table and markings on the detector for hazardous location suitability. For installation details, refer to the DAF-document. For European sales or European installation the unit is adopted to LICOs HDL4 box, mfg by CCH and is then covered by LICOs ISO9001

Hazardous Location	DAF-Model Number	Fitting Required for UL, ULC Listings and FM Approval
Class I*, Groups A, B, C and D; Class II*, Groups E, F and G	27120-22 27121-20 28020-3 28021-5	Mount detector to a suitably listed fitting in accordance with National Electric Code and/or local authority having jurisdiction.
Class I*, Groups B, C and D; Class II*, Groups E, F and G	27120-0 27121-0 28021-0	Mount detector to a suitably listed fitting in accordance with National Electric Code and/or local authority having jurisdiction.

**Division 1 and 2*

Data based on © 2009 Fenwal F-12-04 Rev AA

Explosion Proof Junction Box



This is our LICO HDL4-Box
/ Fenwal 116317
/ Cast by CCH

LICO

www.prevent-a-fire.eu

MATERIALS:

Body: Feraloy Cover: Copper-free aluminum

FINISHES:

Body: Electro-galvanize and aluminum acrylic paint
Or Natural , Cover: Natural

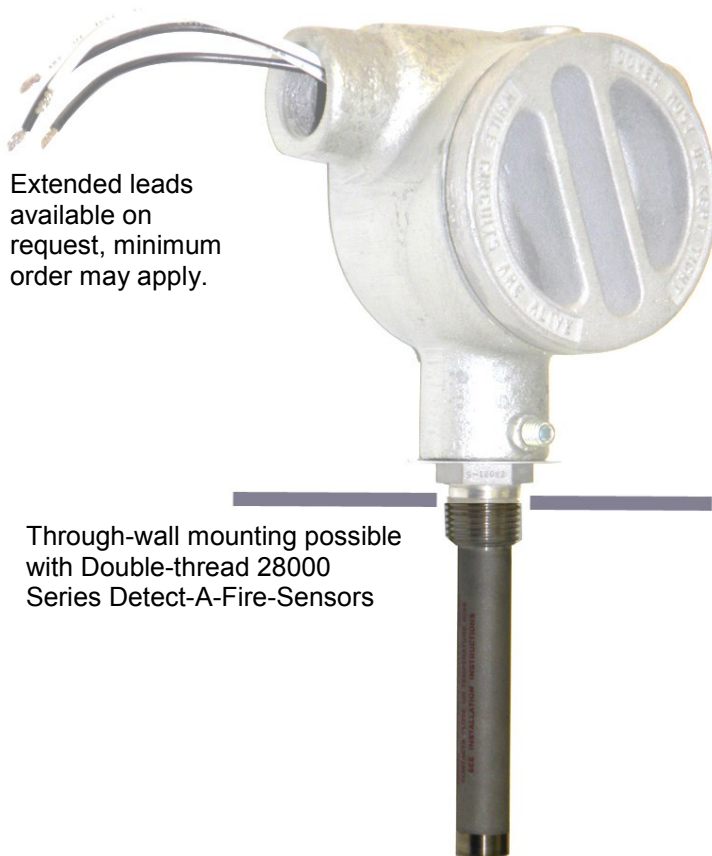
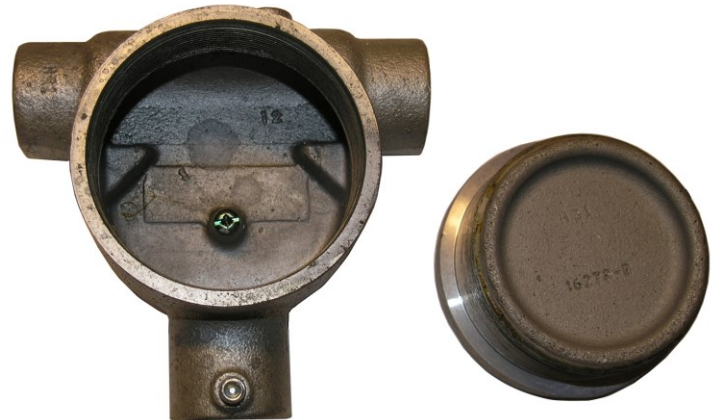
OPENING:

Screw down Lid, Fixing Screw (Imbus/Hex key)

ELECTRIC GROUNDING:

Built-in Grounding Terminal

CONNECTIONS: Detect-A-Fire-Sensor: 1/2"NPT,
Pipe connection: 3/4" NPT or custom specification



Extended leads
available on
request, minimum
order may apply.

Through-wall mounting possible
with Double-thread 28000
Series Detect-A-Fire-Sensors



This literature is provided for informational purposes only. FENWAL, assumes no responsibility for the product's suitability for a particular application. The product must be properly applied to work correctly. Shipment is either LICO HDL4 box or Fenwal or Cooper CCH. If you need more information on this product, or if you have a particular application problem or question, contact LICO Electronics GmbH, A-2320 Kledering. email: office@lico.at or h.miksch@lico.at

LICO Electronics GmbH
Klederinger Str. 31
A-2320 Kledering ,Austria
Tel + 43 1 706 43 000
Fax +43 1 706 41 31
E-mail: office@lico.at

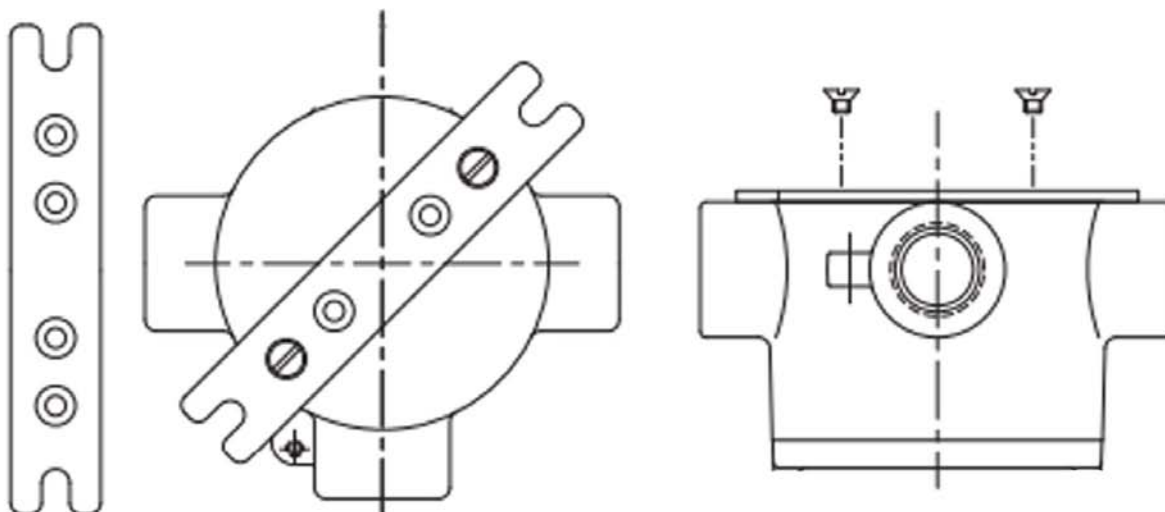
Fittings of any kind:

Stainless Steel or Brass/Nickel



HDL4-box

Brackets:



Modifications:

With any kind of modification (Sensor, Adapter, Fittings, seal, bracket, tubing, hose, etc. , the box exclusively is sold as LICO HDL4-xxx*) acc. to HDL spec data sheets*)